

## Description

The BCR420UW6 and BCR421UW6 monolithically integrate transistors, diodes, and resistors to function as a Constant Current Regulator (CCR) for linear LED driving. Each device regulates with a preset 10mA nominal that can be adjusted with an external resistor up to 350mA. It is designed for driving LEDs in strings and will reduce current at increasing temperatures to self-protect. Operating as a series linear CCR for LED string current control, it can be used in multiple applications, as long as the maximum supply voltage to the device is < 40V.

With low-side control, the BCR421U has an Enable (EN) pin which can be pulse-width modulated (PWM) up to 25kHz by a micro-controller for LED dimming.

With no need for additional external components, this CCR is fully integrated into the SOT26 package, minimizing PCB area and component count.

## Applications

Constant Current Regulation (CCR) in:

- Automotive interior lighting
- Emergency lighting
- Signage, advertising, and decorative/architectural lighting
- Retail lighting in fridges, freezer cases, and vending machines

## Features

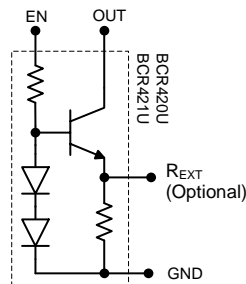
- LED Constant Current Regulator using NPN Emitter-Follower with Emitter Resistor to Current Limit
- $I_{OUT} - 10mA \pm 10\%$  Constant Current (Preset)
- $I_{OUT}$  up to 350mA Adjustable with an External Resistor (BCR421U)
- $V_{OUT} - 40V$  Supply Voltage
- $P_D$  up to 1W in SOT26
- Low-Side Control Enabling PWM Input < 25kHz (BCR421U)
- Negative Temperature Coefficient (NTC) Reduces  $I_{OUT}$  with Increasing Temperature
- Parallel Devices to Increase Regulated Current
- **Totally Lead-Free & Fully RoHS Compliant (Notes 1 & 2)**
- **Halogen and Antimony Free. "Green" Device (Note 3)**
- **Automotive-compliant parts are available under separate datasheet ([BCR420UW6Q/BCR421UW6Q](#))**

## Mechanical Data

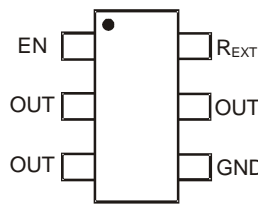
- Package: SOT26
- Package Material: Molded Plastic. "Green" Molding Compound. UL Flammability Rating 94V-0
- Moisture Sensitivity: Level 1 per J-STD-020
- Terminals: Finish - Matte Tin Plated Leads. Solderable per MIL-STD-202, Method 208
- Weight: 0.018 grams (Approximate)



Top View



Internal Device Schematic



Top View Pin-Out

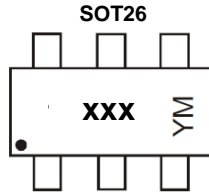
Pin Name	Pin Function
OUT	Regulated Output Current
EN	Enable for Biasing Transistor
R <sub>EXT</sub>	External Resistor for Adjusting Output Current
GND	Power Ground

## Ordering Information (Note 4)

Orderable Part Number	Marking	Reel Size (inches)	Tape Width (mm)	Packing	
				Quantity	Carrier
BCR420UW6-7	420	7	8	3,000	Reel
BCR421UW6-7	421	7	8	3,000	Reel

- Notes:
1. No purposely added lead. Fully EU Directive 2002/95/EC (RoHS), 2011/65/EU (RoHS 2) & 2015/863/EU (RoHS 3) compliant.
  2. See <https://www.diodes.com/quality/lead-free/> for more information about Diodes Incorporated's definitions of Halogen- and Antimony-free, "Green" and Lead-free.
  3. Halogen- and Antimony-free "Green" products are defined as those which contain <900ppm bromine, <900ppm chlorine (<1500ppm total Br + Cl) and <1000ppm antimony compounds.
  4. For packaging details, go to our website at <https://www.diodes.com/design/support/packaging/diodes-packaging/>.

## Marking Information



xxx = Part Marking (See Ordering Information)  
 YM = Date Code Marking  
 Y = Year (ex: J = 2022)  
 M = Month (ex: 3 = March)

### Date Code Key

<b>Year</b>	2016	.....	2021	2022	2023	2024	2025	2026	2027	2028	2029	2030
<b>Code</b>	D	.....	I	J	K	L	M	N	P	R	S	T

<b>Month</b>	Jan	Feb	Mar	Apr	May	Jun	Jul	Aug	Sep	Oct	Nov	Dec
<b>Code</b>	1	2	3	4	5	6	7	8	9	O	N	D

## Absolute Maximum Ratings (Voltage relative to GND, @ T<sub>A</sub> = +25°C, unless otherwise specified.)

Characteristic	Symbol	Value	Unit
Enable Voltage	V <sub>EN</sub>	40	V
		18	
Output Current	I <sub>OUT</sub>	500	mA
Output Voltage	V <sub>OUT</sub>	40	V
Reverse Voltage Between all Terminals	V <sub>R</sub>	0.5	V

## Thermal Characteristics (@ T<sub>A</sub> = +25°C, unless otherwise specified.)

Characteristic	Symbol	Value	Unit
Power Dissipation	P <sub>D</sub>	1,190	mW
		912	
Thermal Resistance, Junction to Ambient	R <sub>θJA</sub>	105	°C/W
		140	
Thermal Resistance, Junction to Lead	R <sub>θJL</sub>	50	
Thermal Resistance, Junction to Case	R <sub>θJC</sub>	31	
Recommended Operating Junction Temperature Range	T <sub>J</sub>	-55 to +150	
Maximum Operating Junction and Storage Temperature Range	T <sub>J</sub> , T <sub>STG</sub>	-65 to +150	°C

## ESD Ratings (Note 8)

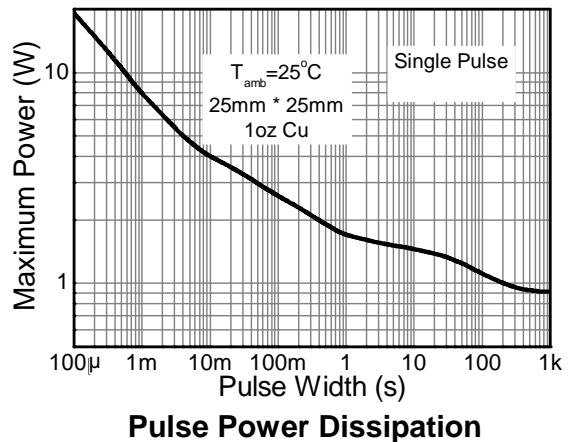
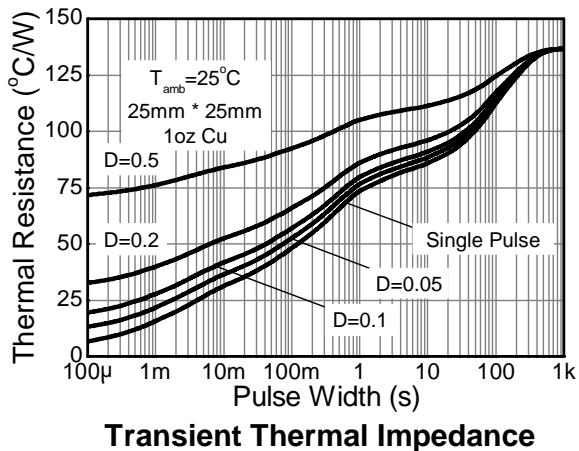
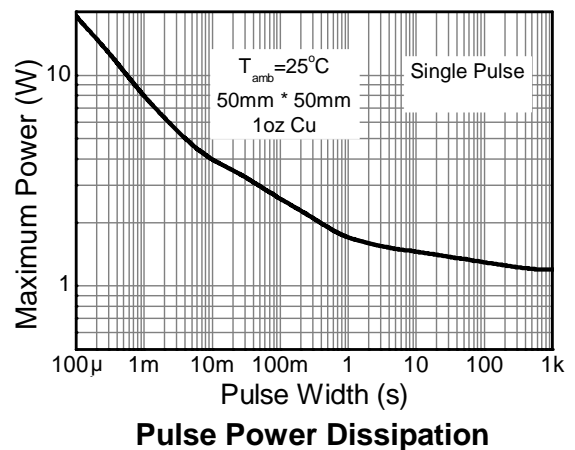
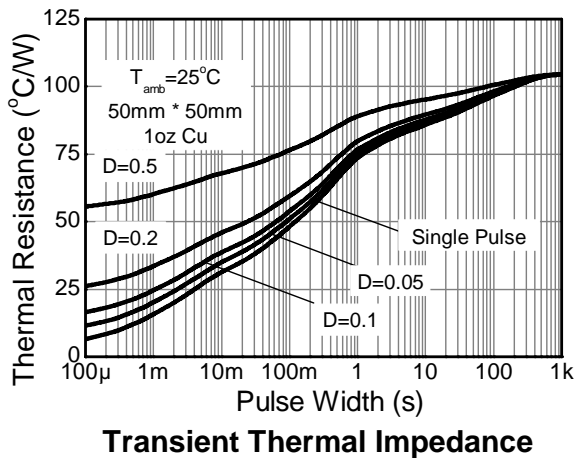
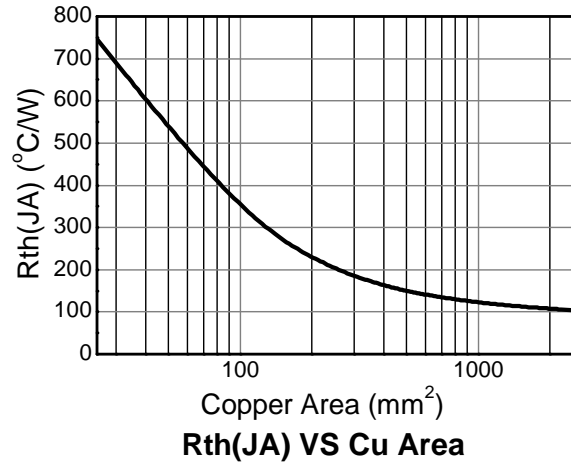
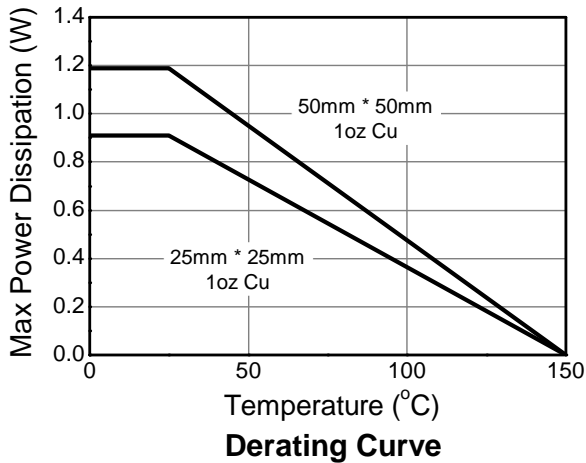
Characteristics	Symbols	Value	Unit	JEDEC Class
Electrostatic Discharge – Human Body Model	HBM	500	V	1B
		1,000	V	1C
Electrostatic Discharge – Machine Model	MM	300	V	B
		400	V	C
Electrostatic Discharge – Charged Device Model	CDM	1,000	V	C6
		1,000	V	C6

Notes: 5. For a device mounted with the OUT leads on 50mm x 50mm 1oz copper that is on a single-sided 1.6mm FR4 PCB; device is measured under still air conditions while operating in steady-state.  
 6. Same as Note 5, except mounted on 25mm x 25mm 1oz copper.  
 7. R<sub>θJL</sub> = Thermal resistance from junction to solder-point (at the end of the OUT leads).  
 8. Refer to JEDEC specification JESD22-A114 and JESD22-A115.

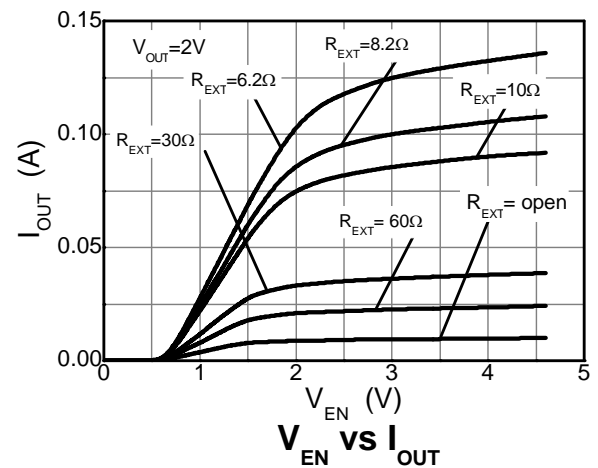
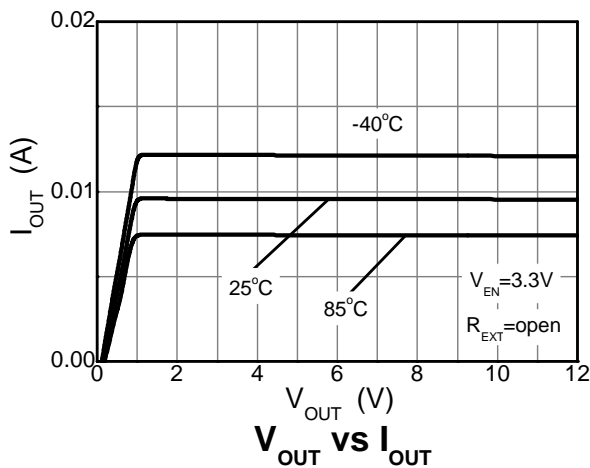
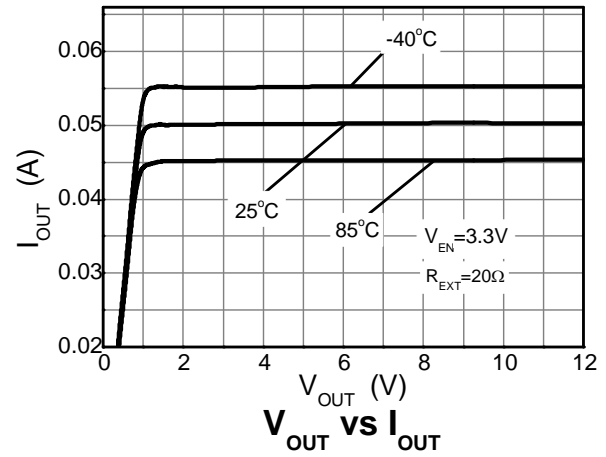
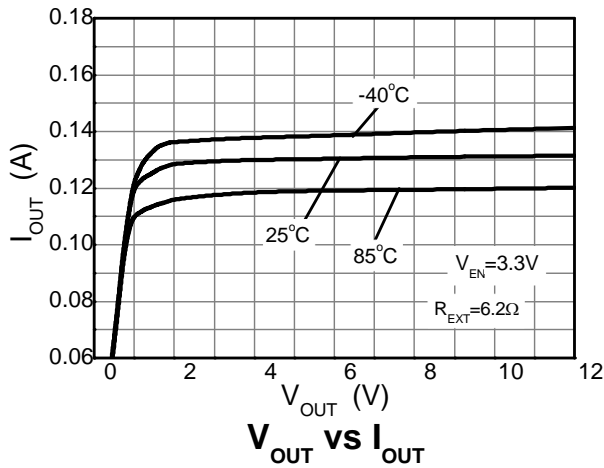
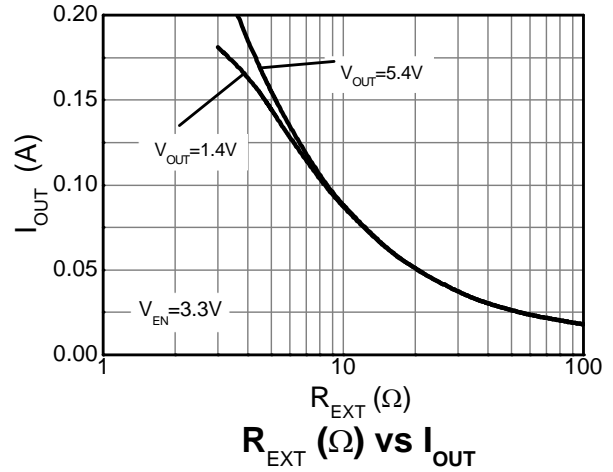
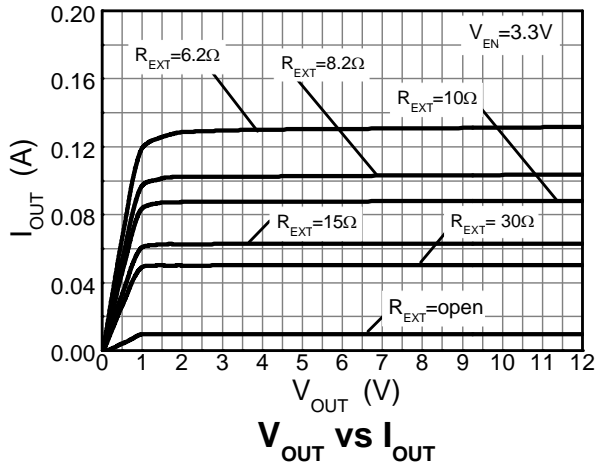
**Electrical Characteristics** (@ T<sub>A</sub> = +25°C, unless otherwise specified.)

Characteristic	Symbol	Min	Typ	Max	Unit	Test Condition	
Collector-Emitter Breakdown Voltage	BV <sub>CEO</sub>	40	—	—	V	I <sub>C</sub> = 1mA	
Enable Current	BCR420U	I <sub>EN</sub>	—	1.2	—	mA	V <sub>EN</sub> = 24V
	BCR421U		—	1.2	—		V <sub>EN</sub> = 3.3V
DC Current Gain	h <sub>FE</sub>	200	350	500	—	I <sub>C</sub> = 50mA; V <sub>CE</sub> = 1V	
Internal Resistor	R <sub>INT</sub>	85	95	105	Ω	I <sub>RINT</sub> = 10mA	
Bias Resistor	BCR420U	R <sub>B</sub>	—	20	—	kΩ	—
	BCR421U		—	1.5	—		—
Output Current	BCR420U	I <sub>OUT</sub>	9	10	11	mA	V <sub>OUT</sub> = 1.4V; V <sub>EN</sub> = 24V
	BCR421U		9	10	11		V <sub>OUT</sub> = 1.4V; V <sub>EN</sub> = 3.3V
Output Current at R <sub>EXT</sub> = 4.9Ω	BCR420U	I <sub>OUT</sub>	—	150	—	mA	V <sub>OUT</sub> > 2.0V; V <sub>EN</sub> = 24V
	BCR421U		—	150	—		V <sub>OUT</sub> > 2.0V; V <sub>EN</sub> = 3.3V
Voltage Drop (V <sub>REXT</sub> )	V <sub>DROP</sub>	0.85	0.95	1.05	V	I <sub>OUT</sub> = 10mA	
Minimum Output Voltage	V <sub>OUT(min)</sub>	—	1.4	—	V	I <sub>OUT</sub> > 18mA	
Output Current Change vs. Temperature	BCR420U	ΔI <sub>OUT</sub> /I <sub>OUT</sub>	—	-0.2	—	%°C	V <sub>OUT</sub> > 2.0V; V <sub>EN</sub> = 24V
	BCR421U		—	-0.2	—		V <sub>OUT</sub> > 2.0V; V <sub>EN</sub> = 3.3V
Output Current Change vs. Supply Voltage	BCR420U	ΔI <sub>OUT</sub> /I <sub>OUT</sub>	—	1	—	%V	V <sub>OUT</sub> > 2.0V; V <sub>EN</sub> = 24V
	BCR421U		—	1	—		V <sub>OUT</sub> > 2.0V; V <sub>EN</sub> = 3.3V

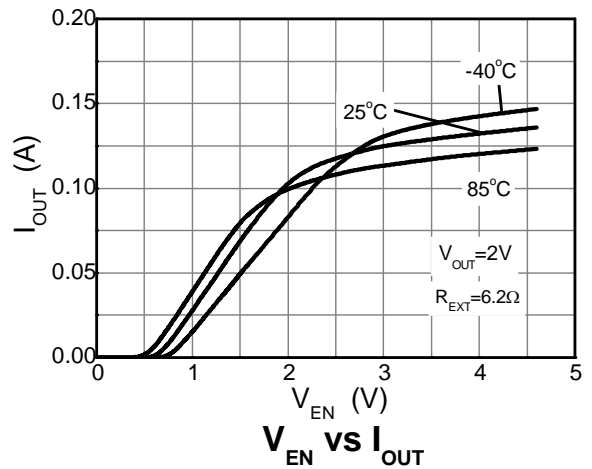
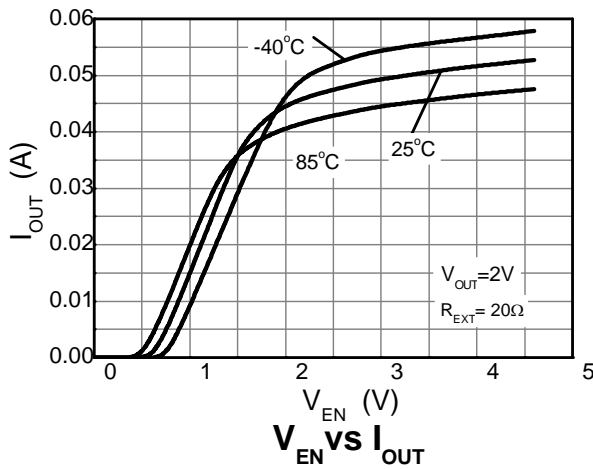
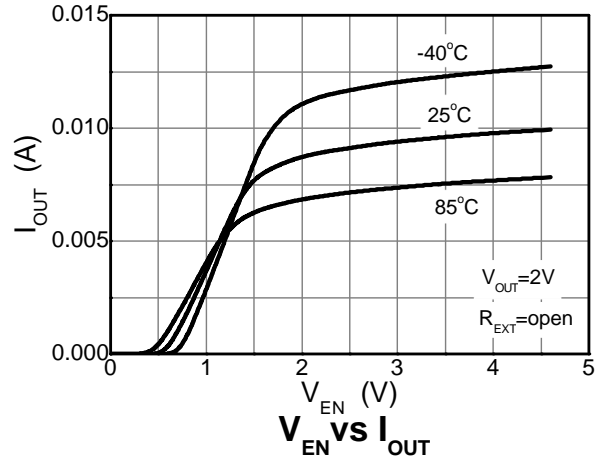
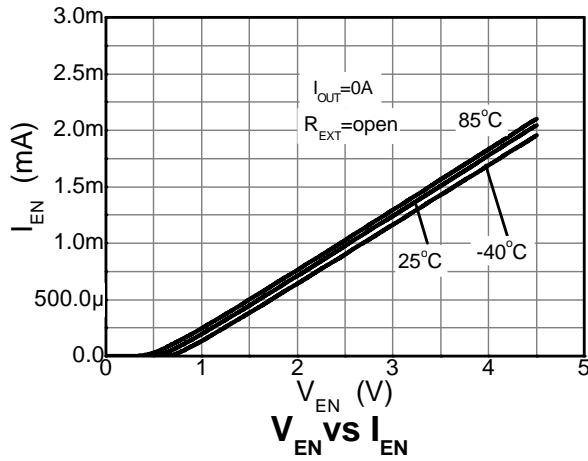
**Typical Thermal Characteristics BCR420/1U** (@  $T_A = +25^\circ\text{C}$ , unless otherwise specified.)



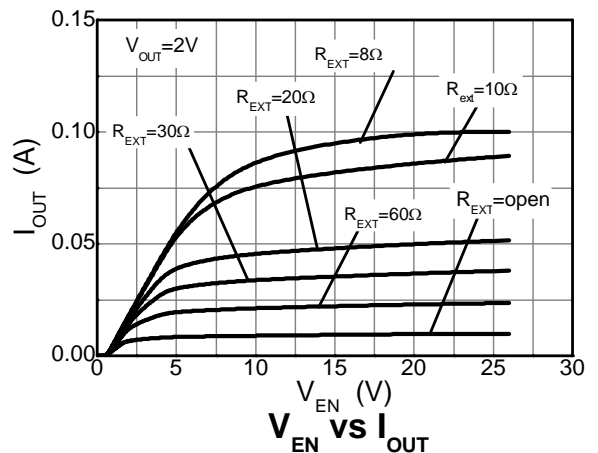
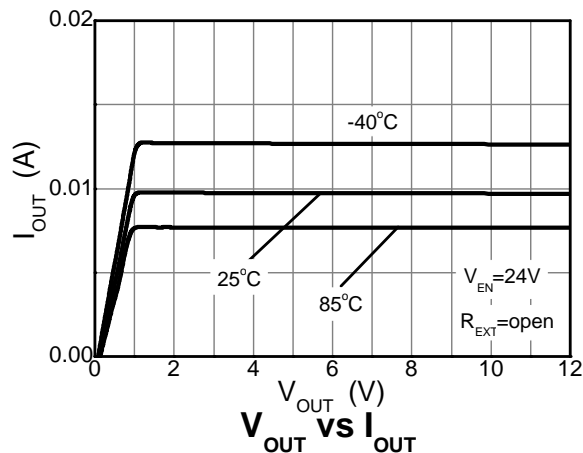
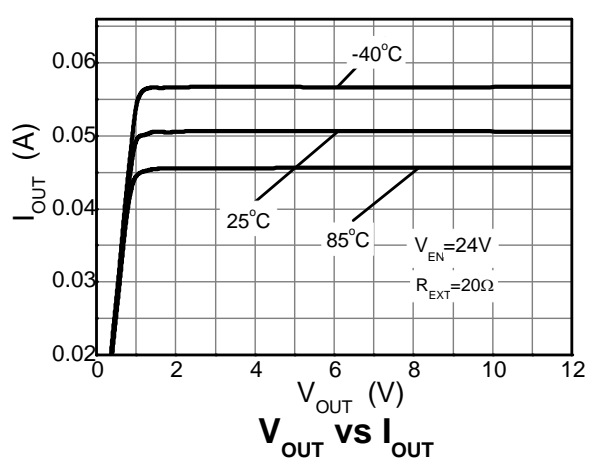
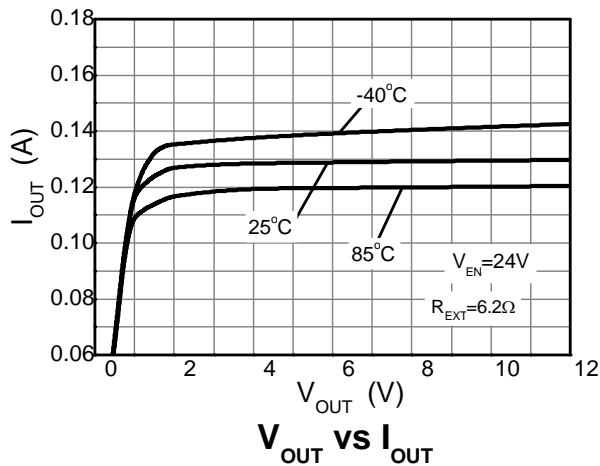
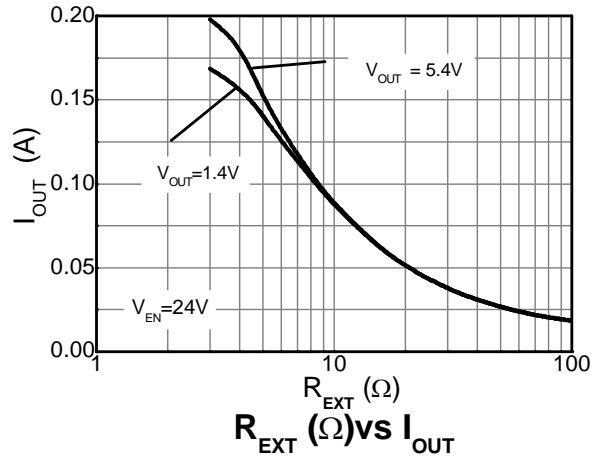
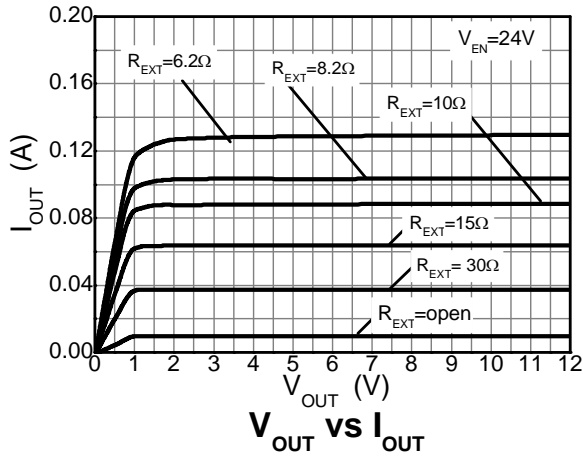
**Typical Electrical Characteristics BCR421U** (@  $T_A = +25^\circ\text{C}$ , unless otherwise specified.)



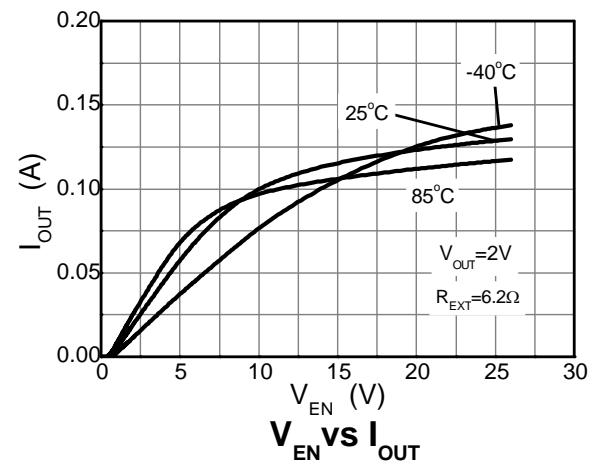
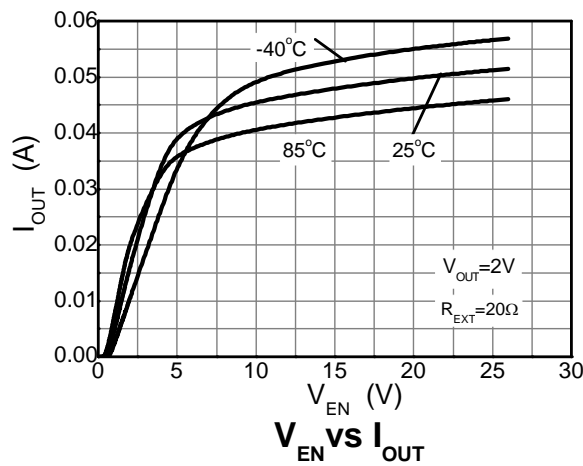
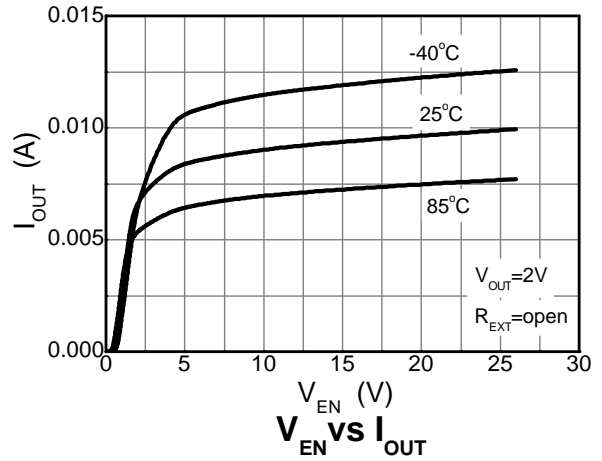
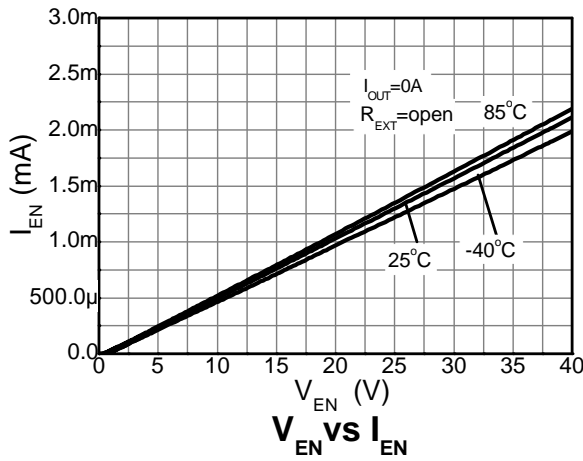
**Typical Electrical Characteristics BCR421U** (@  $T_A = +25^\circ\text{C}$ , unless otherwise specified.) (continued)



**Typical Electrical Characteristics BCR420U** (@  $T_A = +25^\circ\text{C}$ , unless otherwise specified.)



**Typical Electrical Characteristics BCR420U** (@ T<sub>A</sub> = +25°C, unless otherwise specified.) (continued)





**Application Information**

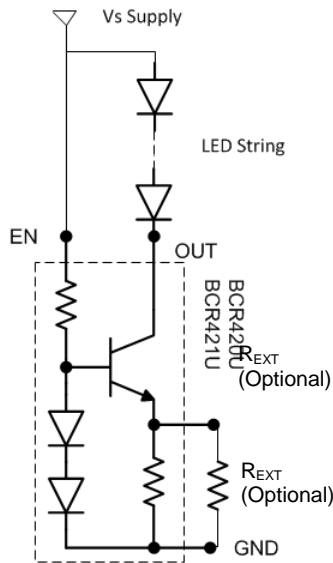


Figure 1 Typical Application Circuit for Linear Mode Current Sink LED Driver

The BCR420/1 are designed for driving low current LEDs with typical LED currents of 10mA to 350mA. They provide a cost-effective way for driving low current LEDs compared with more complex switching regulator solutions. Furthermore, they reduce the PCB board area of the solution as there is no need for external components like inductors, capacitors and switching diodes.

Figure 1 shows a typical application circuit diagram for driving an LED or string of LEDs. The device comes with an internal resistor ( $R_{INT}$ ) of typically  $95\Omega$ , which in the absence of an external resistor, sets an LED current of 10mA (typical) from a  $V_{EN} = 3.3V$  and  $V_{OUT} = 1.4V$  for BCR421; or  $V_{EN} = 24V$  and  $V_{OUT} = 1.4V$  for BCR420. LED current can be increased to a desired value by choosing an appropriate external resistor,  $R_{EXT}$ .

The  $R_{EXT}$  vs  $I_{OUT}$  graphs should be used to select the appropriate resistor. Choosing a low tolerance  $R_{EXT}$  will improve the overall accuracy of the current sense formed by the parallel connection of  $R_{INT}$  and  $R_{EXT}$ .

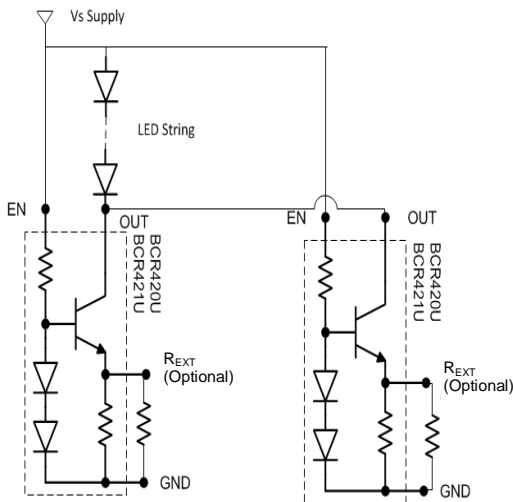


Figure 2 Application Circuit for Increasing LED Current

Two or more BCR420/1s can be connected in parallel to construct higher current LED strings as shown in Figure 2. Consideration of the expected linear mode power dissipation must be factored into the design, with respect to the BCR420/1's thermal resistance. The maximum voltage across the device can be calculated by taking the maximum supply voltage and subtracting the voltage across the LED string.

$$V_{OUT} = V_S - V_{LED}$$

$$P_D = (V_{OUT} \times I_{LED}) + (V_{EN} \times I_{EN})$$

As the output current of BCR420/1 increases, it is necessary to provide appropriate thermal relief to the device. The power dissipation supported by the device is dependent upon the PCB board material, the copper area and the ambient temperature. The maximum dissipation the device can handle is given by:

$$P_D = (T_{J(MAX)} - T_A) / R_{\theta JA}$$

Refer to the thermal characteristic graphs on Page 4 for selecting the appropriate PCB copper area.

**Application Information** (continued)

PWM dimming can be achieved by driving the EN pin. Dimming is achieved by turning the LEDs ON and OFF for a portion of a single cycle. The PWM signal can be provided by a micro-controller or analog circuitry; typical circuit is shown in Figure 3. Figure 4 is a typical response of LED current vs. PWM duty cycle on the EN pin. PWM up to 25kHz with duty cycle of 0.5% (dimming range 200:1). This is above the audio band minimizing audible power supply noise.

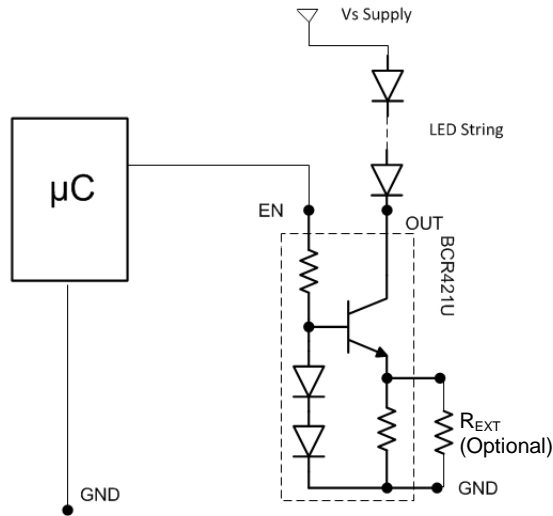


Figure 3 Application Circuits for LED Driver with PWM Dimming Functionality using BCR421U

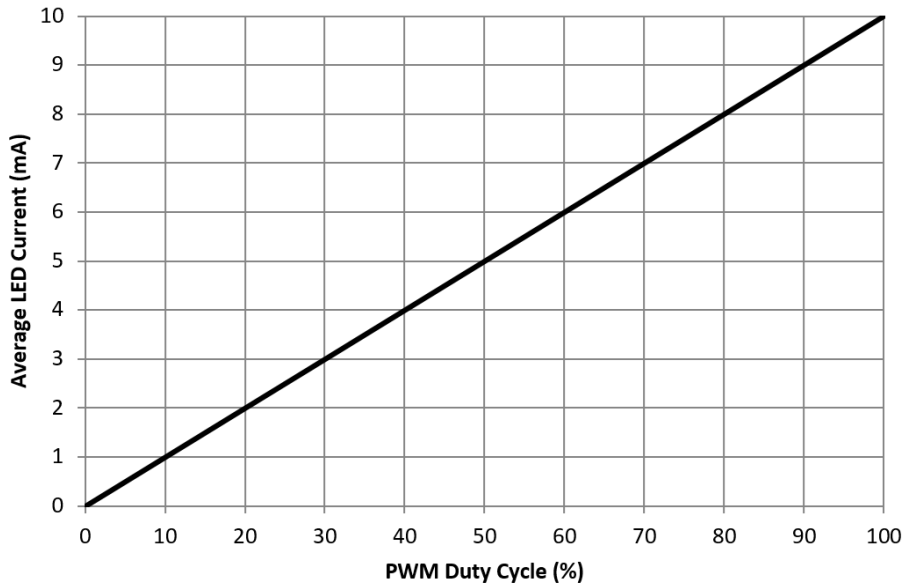


Figure 4 Typical LED Current Response vs. PWM Duty Cycle for 25kHz PWM Frequency (Dimming Range 200:1)

**Application Information** (continued)

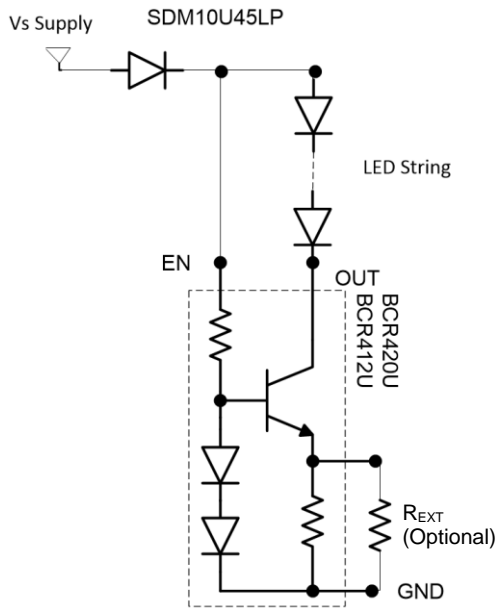


Figure 5 Application Circuit for LED Driver with Reverse Polarity Protection

To remove the potential of incorrect connection of the power supply damaging the lamp's LEDs, many systems use some form of reverse polarity protection.

One solution for reverse input polarity protection is to simply use a diode with a low  $V_F$  in line with the driver/LED combination. The low  $V_F$  increases the available voltage to the LED stack and dissipates less power. A circuit example is presented in Figure 5 which protects the light engine although it will not function until the problem is diagnosed and corrected. An SDM10U45LP (0.1A/45V) is shown, providing exceptionally low  $V_F$  for its package size of 1mm x 0.6mm. Other reverse voltage ratings are available from Diodes Incorporated's website such as the SBR02U100LP (0.2A/100V) or SBR0220LP (0.2A/20V).

While automotive applications commonly use this method for reverse battery protection, an alternative approach shown in Figure 6, provides reverse polarity protection and corrects the reversed polarity, allowing the light engine to function.

The BAS40BRW incorporates four low  $V_F$  Schottky diodes in a single package, reducing the power dissipated and maximizes the voltage across the LED stack.

Figure 7 shows an example configuration for 350mA operation using BCR421U. In such higher current configurations adequate enable current is provided by increasing the enable voltage.

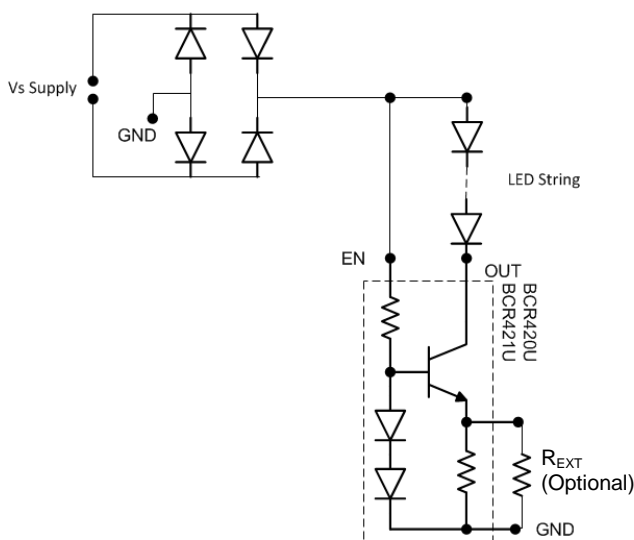


Figure 6 Application Circuit for LED Driver with Assured Operation Regardless Of Polarity

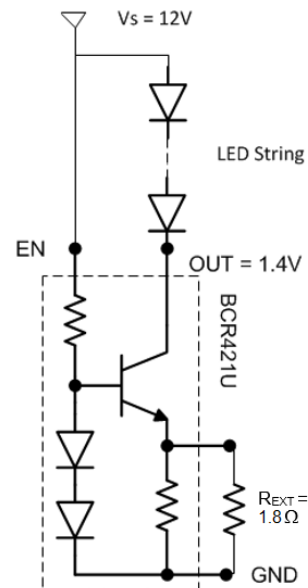
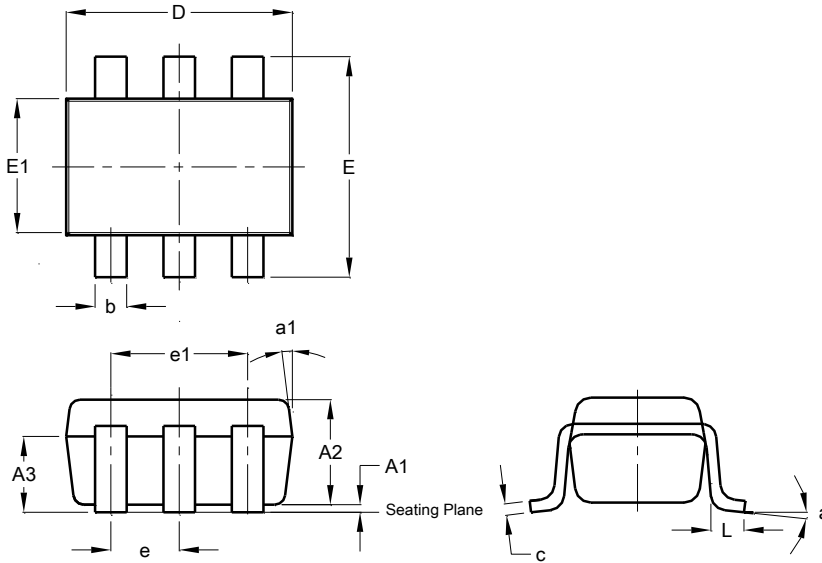


Figure 7 Example for 350mA Operation using BCR421U

**Package Outline Dimensions**

Please see <http://www.diodes.com/package-outlines.html> for the latest version.

**SOT26**

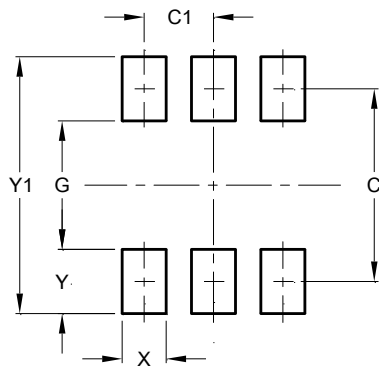


SOT26			
Dim	Min	Max	Typ
A1	0.013	0.10	0.05
A2	1.00	1.30	1.10
A3	0.70	0.80	0.75
b	0.35	0.50	0.38
c	0.10	0.20	0.15
D	2.90	3.10	3.00
e	-	-	0.95
e1	-	-	1.90
E	2.70	3.00	2.80
E1	1.50	1.70	1.60
L	0.35	0.55	0.40
a	-	-	8°
a1	-	-	7°
All Dimensions in mm			

**Suggested Pad Layout**

Please see <http://www.diodes.com/package-outlines.html> for the latest version.

**SOT26**



Dimensions	Value (in mm)
C	2.40
C1	0.95
G	1.60
X	0.55
Y	0.80
Y1	3.20

**IMPORTANT NOTICE**

1. DIODES INCORPORATED (Diodes) AND ITS SUBSIDIARIES MAKE NO WARRANTY OF ANY KIND, EXPRESS OR IMPLIED, WITH REGARDS TO ANY INFORMATION CONTAINED IN THIS DOCUMENT, INCLUDING, BUT NOT LIMITED TO, THE IMPLIED WARRANTIES OF MERCHANTABILITY, FITNESS FOR A PARTICULAR PURPOSE OR NON-INFRINGEMENT OF THIRD PARTY INTELLECTUAL PROPERTY RIGHTS (AND THEIR EQUIVALENTS UNDER THE LAWS OF ANY JURISDICTION).
2. The Information contained herein is for informational purpose only and is provided only to illustrate the operation of Diodes' products described herein and application examples. Diodes does not assume any liability arising out of the application or use of this document or any product described herein. This document is intended for skilled and technically trained engineering customers and users who design with Diodes' products. Diodes' products may be used to facilitate safety-related applications; however, in all instances customers and users are responsible for (a) selecting the appropriate Diodes products for their applications, (b) evaluating the suitability of Diodes' products for their intended applications, (c) ensuring their applications, which incorporate Diodes' products, comply the applicable legal and regulatory requirements as well as safety and functional-safety related standards, and (d) ensuring they design with appropriate safeguards (including testing, validation, quality control techniques, redundancy, malfunction prevention, and appropriate treatment for aging degradation) to minimize the risks associated with their applications.
3. Diodes assumes no liability for any application-related information, support, assistance or feedback that may be provided by Diodes from time to time. Any customer or user of this document or products described herein will assume all risks and liabilities associated with such use, and will hold Diodes and all companies whose products are represented herein or on Diodes' websites, harmless against all damages and liabilities.
4. Products described herein may be covered by one or more United States, international or foreign patents and pending patent applications. Product names and markings noted herein may also be covered by one or more United States, international or foreign trademarks and trademark applications. Diodes does not convey any license under any of its intellectual property rights or the rights of any third parties (including third parties whose products and services may be described in this document or on Diodes' website) under this document.
5. Diodes' products are provided subject to Diodes' Standard Terms and Conditions of Sale (<https://www.diodes.com/about/company/terms-and-conditions/terms-and-conditions-of-sales/>) or other applicable terms. This document does not alter or expand the applicable warranties provided by Diodes. Diodes does not warrant or accept any liability whatsoever in respect of any products purchased through unauthorized sales channel.
6. Diodes' products and technology may not be used for or incorporated into any products or systems whose manufacture, use or sale is prohibited under any applicable laws and regulations. Should customers or users use Diodes' products in contravention of any applicable laws or regulations, or for any unintended or unauthorized application, customers and users will (a) be solely responsible for any damages, losses or penalties arising in connection therewith or as a result thereof, and (b) indemnify and hold Diodes and its representatives and agents harmless against any and all claims, damages, expenses, and attorney fees arising out of, directly or indirectly, any claim relating to any noncompliance with the applicable laws and regulations, as well as any unintended or unauthorized application.
7. While efforts have been made to ensure the information contained in this document is accurate, complete and current, it may contain technical inaccuracies, omissions and typographical errors. Diodes does not warrant that information contained in this document is error-free and Diodes is under no obligation to update or otherwise correct this information. Notwithstanding the foregoing, Diodes reserves the right to make modifications, enhancements, improvements, corrections or other changes without further notice to this document and any product described herein. This document is written in English but may be translated into multiple languages for reference. Only the English version of this document is the final and determinative format released by Diodes.
8. Any unauthorized copying, modification, distribution, transmission, display or other use of this document (or any portion hereof) is prohibited. Diodes assumes no responsibility for any losses incurred by the customers or users or any third parties arising from any such unauthorized use.
9. This Notice may be periodically updated with the most recent version available at <https://www.diodes.com/about/company/terms-and-conditions/important-notice>

The Diodes logo is a registered trademark of Diodes Incorporated in the United States and other countries.  
All other trademarks are the property of their respective owners.  
© 2023 Diodes Incorporated. All Rights Reserved.

[www.diodes.com](http://www.diodes.com)